

RECD 22 OCT 2002
PCT

PA 900633

THE UNITED STATES OF AMERICA

TO ALL TO WHOM THESE PRESENTS SHALL COME:

UNITED STATES DEPARTMENT OF COMMERCE

United States Patent and Trademark Office

September 24, 2002

THIS IS TO CERTIFY THAT ANNEXED HERETO IS A TRUE COPY FROM THE RECORDS OF THE UNITED STATES PATENT AND TRADEMARK OFFICE OF THOSE PAPERS OF THE BELOW IDENTIFIED PATENT APPLICATION THAT MET THE REQUIREMENTS TO BE GRANTED A FILING DATE UNDER 35 USC 111.

APPLICATION NUMBER: 10/120,345

FILING DATE: April 12, 2002

PRIORITY DOCUMENT

SUBMITTED OR TRANSMITTED IN COMPLIANCE WITH RULE 17.1(a) OR (b)



**By Authority of the
COMMISSIONER OF PATENTS AND TRADEMARKS**

H. Phillips
H. PHILLIPS
Certifying Officer

BEST AVAILABLE COPY

JC923 U.S. PTO
04/12/02

PTO/SB/05 (08/00)

Please type a plus sign (+) inside this box Approved for use through 10/31/2002. OMB 0651-0032
U.S. Patent and Trademark Office; U.S. DEPARTMENT OF COMMERCE
Under the Paperwork Reduction Act of 1995, no persons are required to respond to a collection of information unless it displays a valid OMB control number.

04/12/02

UTILITY PATENT APPLICATION TRANSMITTAL

| | |
|------------------------|--|
| Attorney Docket No. | YU175US |
| First Inventor | KIA SILVERBROOK |
| Title | Pusher Actuation in a Printhead Chip for an Inkjet Printhead |
| Express Mail Label No. | |

(Only for new nonprovisional applications under 37 CFR 1.53(b))

APPLICATION ELEMENTS

See MPEP chapter 600 concerning utility patent application contents.

- Fee Transmittal Form (e.g., PTO/SB/17)
(Submit an original and a duplicate for fee processing)
- Applicant claims small entity status.
See 37 CFR 1.27.
- Specification [Total Pages **14**]
(preferred arrangement set forth below)
 - Descriptive title of the invention
 - Cross Reference to Related Applications
 - Statement Regarding Fed sponsored R & D
 - Reference to sequence listing, a table, or a computer program listing appendix
 - Background of the Invention
 - Brief Summary of the Invention
 - Brief Description of the Drawings (if filed)
 - Detailed Description
 - Claim(s)
 - Abstract of the Disclosure
- Drawing(s) (35 U.S.C. 113) [Total Sheets **6**]
- Oath of Declaration [Total Pages **3**]
 - Newly executed (original or copy)
 - Copy from a prior application (37 CFR 1.63 (d))
(for continuation/divisional with Box 17 completed)
- Application Data Sheet. See 37 CFR 1.76

ADDRESS TO: Assistant Commissioner for Patents
Box Patent Application
Washington, DC 20231

- CD-ROM or CD-R in duplicate, large table or Computer Program (Appendix)
- Nucleotide and/or Amino Acid Sequence Submission (if applicable, all necessary)
 - Computer Readable Form (CRF)
 - Specification Sequence Listing on:
 - CD-ROM or CD-R (2 copies); or
 - paper
 - Statements verifying identity of above copies

ACCOMPANYING APPLICATION PARTS

- Assignment Papers (cover sheet & document(s))
- 37 CFR 3.73(b) Statement (when there is an assignee) Power of Attorney
- English Translation Document (if applicable)
- Information Disclosure Statement (IDS)/PTO-1449 Copies of IDS Citations
- Preliminary Amendment
- Return Receipt Postcard (MPEP 503) (Should be specifically itemized)
- Certified Copy of Priority Document(s) (if foreign priority is claimed)
- Other:

17. If a CONTINUING APPLICATION, check appropriate box, and supply the requisite information below and in a preliminary amendment, or in an Application Data Sheet under 37 CFR 1.76:

Continuation Divisional Continuation-in-part (CIP) of prior application No. 09,112,767

Prior application information: Examiner An H Do Group I Art Unit: 2853

For CONTINUATION OR DIVISIONAL APPS only: The entire disclosure of the prior application, from which an oath or declaration is supplied under Box 5b, is considered a part of the disclosure of the accompanying continuation or divisional application and is hereby incorporated by reference. The incorporation can only be relied upon when a portion has been inadvertently omitted from the submitted application parts.

18. CORRESPONDENCE ADDRESS

Customer Number or Bar Code Label  or Correspondence address below

| | | | | | |
|---------|---------------------|-----------|-----------------|----------|-----------------|
| Name | KIA SILVERBROOK | | | | |
| Address | 393 Darling Street, | | | | |
| City | Balmain | State | NSW | Zip Code | 2041 |
| Country | Australia | Telephone | +61-2-9818-6633 | Fax | +61-2-9819-6711 |

| | | | |
|-------------------|---|-----------------------------------|---------------|
| Name (Print/Type) | KIA SILVERBROOK | Registration No. (Attorney/Agent) | |
| Signature |  | Date | April 8, 2002 |

Burden Hour Statement: This form is estimated to take 0.2 hours to complete. Time will vary depending upon the needs of the individual case. Any comments on the amount of time you are required to complete this form should be sent to the Chief Information Officer, U.S. Patent and Trademark Office, Washington, DC 20231. DO NOT SEND FEES OR COMPLETED FORMS TO THIS ADDRESS. SEND TO: Assistant Commissioner for Patents, Box Patent Application, Washington, DC 20231.

Under the Paperwork Reduction Act of 1995, no persons are required to respond to a collection of information unless it displays a valid OMB control number.

FEE TRANSMITTAL for FY 2002

Patent fees are subject to annual revision.

Applicant claims small entity status. See 37 CFR 1.27

TOTAL AMOUNT OF PAYMENT (\$410)

Complete if Known

| | |
|----------------------|-----------------|
| Application Number | |
| Filing Date | |
| First Named Inventor | Kia Silverbrook |
| Examiner Name | |
| Group Art Unit | |
| Attorney Docket No. | YU175US |

METHOD OF PAYMENT (check all that apply)

Check Credit card Money Order Other None

Deposit Account:

Deposit Account Number: _____
 Deposit Account Name: _____

The Commissioner is authorized to: (check all that apply)

Charge fee(s) indicated below Credit any overpayments
 Charge any additional fee(s) during the pendency of this application
 Charge fee(s) indicated below, except for the filing fee to the above-identified deposit account.

FEE CALCULATION

1. BASIC FILING FEE

| Large Entity | | Small Entity | | Fee Description | Fee Paid |
|---------------|----------|---------------|----------|------------------------|----------|
| Fee Code (\$) | Fee (\$) | Fee Code (\$) | Fee (\$) | | |
| 101 | 740 | 201 | 370 | Utility filing fee | 370 |
| 106 | 330 | 208 | 165 | Design filing fee | |
| 107 | 510 | 207 | 255 | Plant filing fee | |
| 108 | 740 | 208 | 370 | Reissue filing fee | |
| 114 | 160 | 214 | 80 | Provisional filing fee | |

SUBTOTAL (1) (\$) 370

2. EXTRA CLAIM FEES FOR UTILITY AND REISSUE

| Total Claims | Extra Claims | Fee from below | Fee Paid |
|-------------------------------|--------------|----------------|----------|
| Independent Claims: 10 | -20** = | 9 | 0 |
| Multiple, Dependent Claims: 1 | -3** = | 42 | 0 |

| Large Entity | | Small Entity | | Fee Description | Fee Paid |
|---------------|----------|---------------|----------|--|----------|
| Fee Code (\$) | Fee (\$) | Fee Code (\$) | Fee (\$) | | |
| 103 | 18 | 203 | 9 | Claims in excess of 20 | |
| 102 | 84 | 202 | 42 | Independent claims in excess of 3 | |
| 104 | 280 | 204 | 140 | Multiple dependent claim, if not paid | |
| 109 | 84 | 209 | 42 | ** Reissue independent claims over original patent | |
| 110 | 18 | 210 | 9 | ** Reissue claims in excess of 20 and over original patent | |

SUBTOTAL (2) (\$) 0

**or number previously paid, if greater; For Reissues, see above

FEE CALCULATION (continued)

3. ADDITIONAL FEES

| Large Entity | | Small Entity | | Fee Description | Fee Paid |
|---------------|----------|---------------|----------|--|----------|
| Fee Code (\$) | Fee (\$) | Fee Code (\$) | Fee (\$) | | |
| 105 | 130 | 205 | 65 | Surcharge - late filing fee or oath | |
| 127 | 50 | 227 | 25 | Surcharge - late provisional filing fee or cover sheet | |
| 139 | 130 | 139 | 130 | Non-English specification | |
| 147 | 2,520 | 147 | 2,520 | For filing a request for ex parte reexamination | |
| 112 | 920* | 112 | 920* | Requesting publication of SIR prior to Examiner action | |
| 113 | 1,840* | 113 | 1,840* | Requesting publication of SIR after Examiner action | |
| 115 | 110 | 215 | 55 | Extension for reply within first month | |
| 116 | 400 | 216 | 200 | Extension for reply within second month | |
| 117 | 920 | 217 | 460 | Extension for reply within third month | |
| 118 | 1,440 | 218 | 720 | Extension for reply within fourth month | |
| 128 | 1,960 | 228 | 980 | Extension for reply within fifth month | |
| 119 | 320 | 219 | 160 | Notice of Appeal | |
| 120 | 320 | 220 | 160 | Filing a brief in support of an appeal | |
| 121 | 280 | 221 | 140 | Request for oral hearing | |
| 138 | 1,510 | 138 | 1,510 | Petition to institute a public use proceeding | |
| 140 | 110 | 240 | 55 | Petition to revive - unavoidable | |
| 141 | 1,280 | 241 | 640 | Petition to revive - unintentional | |
| 142 | 1,280 | 242 | 640 | Utility issue fee (or reissue) | |
| 143 | 460 | 243 | 230 | Design issue fee | |
| 144 | 620 | 244 | 310 | Plant issue fee | |
| 122 | 130 | 122 | 130 | Petitions to the Commissioner | |
| 123 | 50 | 123 | 50 | Processing fee under 37 CFR 1.17(q) | |
| 126 | 180 | 126 | 180 | Submission of Information Disclosure Stmt | |
| 581 | 40 | 581 | 40 | Recording each patent assignment per property (times number of properties) | 40 |
| 146 | 740 | 248 | 370 | Filing a submission after final rejection (37 CFR § 1.129(a)) | |
| 149 | 740 | 249 | 370 | For each additional invention to be examined (37 CFR § 1.129(b)) | |
| 179 | 740 | 279 | 370 | Request for Continued Examination (RCE) | |
| 169 | 900 | 169 | 900 | Request for expedited examination of a design application | |

Other fee (specify) _____

*Reduced by Basic Filing Fee Paid SUBTOTAL (3) (\$) 40

SUBMITTED BY

| | | | | | |
|-------------------|-----------------|-----------------------------------|--|-----------|-----------------|
| Name (Print/Type) | Kia Silverbrook | Registration No. (Attorney/Agent) | | Telephone | +61-2-9818-6633 |
| Signature | | | | Date | April 8, 2002 |

WARNING: Information on this form may become public. Credit card information should not be included on this form. Provide credit card information and authorization on PTO-2038.

Burden Hour Statement: This form is estimated to take 0.2 hours to complete. Time will vary depending upon the needs of the individual case. Any comments on the amount of time you are required to complete this form should be sent to the Chief Information Officer, U.S. Patent and Trademark Office, Washington, DC 20231. DO NOT SEND FEES OR COMPLETED FORMS TO THIS ADDRESS. SEND TO: Assistant Commissioner for Patents, Washington, DC 20231.

This is a C-I-P of USSN 09/112,767 filed on July 10, 1998

TITLE OF THE INVENTION

**PUSHER ACTUATION IN A PRINthead CHIP FOR AN INKJET
PRINthead**

INVENTOR

Kia Silverbrook

**10 STATEMENT REGARDING FEDERALLY SPONSORED RESEARCH OR
DEVELOPMENT**

Not Applicable

FIELD OF THE INVENTION

This invention relates to a printhead chip for an inkjet printhead. More particularly, this invention relates to a printhead chip for an inkjet printhead that incorporates pusher actuation in order to achieve ink drop ejection.

REFERENCED PATENT APPLICATIONS

20 This application is a continuation-in-part application of US Application No. 09/112,767. The following patents/patent applications are incorporated by reference.

| | | | | | |
|-----------|------------|------------|------------|------------|------------|
| | 6,227,652 | 6,213,588 | 6,213,589 | 6,231,163 | 6,247,795 |
| | 09/113,099 | 6,244,691 | 6,257,704 | 09/112,778 | 6,220,694 |
| | 6,257,705 | 6,247,794 | 6,234,610 | 6,247,793 | 6,264,306 |
| | 6,241,342 | 6,247,792 | 6,264,307 | 6,254,220 | 6,234,611 |
| | 09/112,808 | 09/112,809 | 6,239,821 | 09/113,083 | 6,247,796 |
| | 09/113,122 | 09/112,793 | 09/112,794 | 09/113,128 | 09/113,127 |
| | 6,227,653 | 6,234,609 | 6,238,040 | 6,188,415 | 6,227,654 |
| | 6,209,989 | 6,247,791 | 09/112,764 | 6,217,153 | 09/112,767 |
| 30 | 6,243,113 | 09/112,807 | 6,247,790 | 6,260,953 | 6,267,469 |
| | 09/425,419 | 09/425,418 | 09/425,194 | 09/425,193 | 09/422,892 |
| | 09/422,806 | 09/425,420 | 09/422,893 | 09/693,703 | 09/693,706 |
| | 09/693,313 | 09/693,279 | 09/693,727 | 09/693,708 | 09/575,141 |

| | | | | |
|------------|------------|------------|------------|------------|
| 09/113,053 | 09/855,094 | 09/854,762 | 09/854,715 | 09/854,830 |
| 09/854,714 | 09/854,703 | 09/855,093 | 09/854,815 | 09/854,825 |
| 09/864,377 | 09/864,380 | 09/900,178 | 09/864,379 | 09/864,378 |
| 09/864,334 | 09/864,332 | 09/864,343 | 09/864,342 | 09/866,786 |
| 09/874,757 | 09/900,174 | 09/900,160 | 09/900,175 | 09/900,177 |
| 09/900,159 | 09/900,176 | 09/922,274 | 09/922,275 | 09/922,158 |
| 09/922,159 | 09/922,036 | 09/922,047 | 09/922,029 | 09/922,207 |
| 09/922,112 | 09/922,105 | 09/942,549 | 09/942,605 | 09/942,548 |
| 09/942,603 | 09/942,604 | | | |

10

BACKGROUND OF THE INVENTION

As set out in the above referenced applications/patents, the Applicant has spent a substantial amount of time and effort in developing printheads that incorporate micro electro-mechanical system (MEMS) – based components to achieve the ejection of ink necessary for printing.

As a result of the Applicant's research and development, the Applicant has been able to develop printheads having one or more printhead chips that together incorporate up to 84 000 nozzle arrangements. The Applicant has also developed suitable processor technology that is capable of controlling operation of such printheads. In particular, the processor technology and the printheads are capable of cooperating to generate resolutions of 1600 dpi and higher in some cases. Examples of suitable processor technology are provided in the above referenced patent applications/patents.

Common to most of the printhead chips that the Applicant has developed is a component that moves with respect to a substrate to eject ink from a nozzle chamber. This component can be in the form of an ink-ejecting member that is displaceable in a nozzle chamber to eject the ink from the nozzle chamber.

As is also clear from the above applications, Applicant has developed a number of ways in which to achieve the ejection of ink from the respective nozzle chambers. A majority of these are based on the selection of a material having a coefficient of thermal expansion that is such that, on a MEMS scale, expansion upon heating and subsequent contraction upon cooling can be harnessed to perform work. The material is formed to define at least part of a thermal actuator that includes a heating circuit. The heating circuit is shaped to be resistively heated when a current passes through the circuit. The current is

supplied to the circuit in the form of pulses at a frequency that depends on the printing requirements. The pulses are usually supplied from a CMOS layer positioned on a substrate of the printhead chip. The pulses are shaped and have a magnitude that is also dependent on the printing requirements. The generation and control of the pulses is by way of a suitable microprocessor of the type described in the above referenced applications.

On a macroscopic scale, it is counter-intuitive to use the expansion and subsequent contraction of material in order to achieve the performance of work. Applicant submits that the perceived slow rate of expansion and contraction would lead a person of ordinary skill in the field of macroscopic engineering to seek alternative energy sources.

10 On a MEMS scale, however, Applicant has found that expansion and contraction of such a material can be harnessed to perform work. The reason for this is that, on this scale, expansion and contraction are relatively rapid and can transmit relatively high force.

There remains an issue of range of movement. While the expansion and contraction are both rapid and forceful, Applicant has found that it would be desirable for a mechanism to be provided whereby such rapidity and force of movement could be amplified at a region where the work is required to eject the ink.

A majority of the nozzle arrangements covered by the above applications and patents use differential expansion in the thermal actuator to achieve bending of the thermal actuator. This bending movement is transmitted to an ink-ejecting component that is either
20 rectilinearly or angularly displaced to eject the ink.

Applicant has found that it would be desirable for simple rectilinear expansion of a thermal actuator to be transmitted to an ink-ejecting component, since such simple rectilinear expansion on a MEMS scale is relatively efficient.

The Applicant has conceived this invention in order to achieve the desired transmission and amplification of motion mentioned above.

SUMMARY OF THE INVENTION

According to the invention, there is provided a printhead chip for an inkjet printhead, the printhead chip comprising

30 a substrate; and

a plurality of nozzle arrangements that is positioned on the substrate, each nozzle arrangement comprising

a nozzle chamber structure that is positioned on the substrate and that defines a nozzle chamber from which ink is to be ejected;

an ink-ejecting mechanism that is operatively arranged with respect to the nozzle chamber structure, the ink-ejecting mechanism including at least one moving component that is displaceable to generate a pressure pulse within the nozzle chamber to eject ink from the nozzle chamber;

an actuator that is positioned on the substrate and that has at least one working member that is of a material having a coefficient of thermal expansion such that the, or each, working member is capable of substantially rectilinear expansion and contraction when heated and subsequently cooled; and

an energy transmitting means that interconnects the, or each, moving component and the, or each, working member so that energy generated by the, or each, working member as a result of expansion and subsequent contraction of the, or each, working member is transmitted to the, or each, moving component resulting in displacement of the, or each, moving component and generation of said pressure pulse.

The invention is now described, by way of examples, with reference to the accompanying drawings. The following description is not intended to limit the broad scope of the above summary.

BRIEF DESCRIPTION OF THE DRAWINGS

In the drawings,

Figure 1 shows a schematic view of a nozzle arrangement of a first embodiment of a printhead chip, in accordance with the invention, for an inkjet printhead;

Figure 2 shows a schematic view of a nozzle arrangement of a second embodiment of a printhead chip, in accordance with the invention, for an inkjet printhead;

Figure 3 shows a schematic view of a nozzle arrangement of a third embodiment of a printhead chip, in accordance with the invention;

Figure 4 shows a schematic view of a nozzle arrangement of a fourth embodiment of a printhead chip, in accordance with the invention;

Figure 5 shows a schematic view of a nozzle arrangement of a fifth embodiment of a printhead chip, in accordance with the invention;

Figure 6 shows a schematic side view showing further detail of the nozzle arrangement of Figure 5 in a quiescent condition;

Figure 7 shows a schematic side view of the nozzle arrangement of Figure 5 in an operative condition;

Figure 8 shows a schematic plan view of the nozzle arrangement of Figure 5; and

Figure 9 shows a schematic side view of a nozzle arrangement of a sixth embodiment of a printhead chip, in accordance with the invention, for an inkjet printhead.

DETAILED DESCRIPTION OF THE INVENTION

10 In Figure 1, reference numeral 10 generally indicates a nozzle arrangement for a first embodiment of an ink jet printhead chip, in accordance with the invention.

The nozzle arrangement 10 is one of a plurality of such nozzle arrangements formed on a silicon wafer substrate 12 (Figure 6) to define the printhead chip of the invention. As set out in the background of this specification, a single printhead can contain up to 84 000 such nozzle arrangements. For the purposes of clarity and ease of description, only one nozzle arrangement is described. It is to be appreciated that a person of ordinary skill in the field can readily obtain the printhead chip by simply replicating the nozzle arrangement 10 on the wafer substrate 12.

20 The printhead chip is the product of an integrated circuit fabrication technique. In particular, each nozzle arrangement 10 is the product of a MEMS – based fabrication technique. As is known, such a fabrication technique involves the deposition of functional layers and sacrificial layers of integrated circuit materials. The functional layers are etched to define various moving components and the sacrificial layers are etched away to release the components. As is known, such fabrication techniques generally involve the replication of a large number of similar components on a single wafer that is subsequently diced to separate the various components from each other. This reinforces the submission that a person of ordinary skill in the field can readily obtain the printhead chip of this invention by replicating the nozzle arrangement 10.

30 An electrical drive circuitry layer 14 is positioned on the silicon wafer substrate 12. The electrical drive circuitry layer 14 includes CMOS drive circuitry. The particular configuration of the CMOS drive circuitry is not important to this description and has therefore been shown schematically in the drawings. Suffice to say that it is connected to a suitable microprocessor and provides electrical current to the nozzle arrangement 10 upon

receipt of an enabling signal from said suitable microprocessor. An example of a suitable microprocessor is described in the above referenced patents/patent applications. It follows that this level of detail will not be set out in this specification.

An ink passivation layer 16 is positioned on the drive circuitry layer 14. The ink passivation layer 16 can be of any suitable material, such as silicon nitride.

10 The nozzle arrangement 10 is shown in Figure 1 as broadly conceptual. The nozzle arrangement 10 includes an actuator in the form of an electro thermal actuator 18. The actuator 18 includes an electrical resistive heating circuit 20. The circuit 20 incorporates a working member in the form of a conductive heating element 22. The heating element 22 is of a material having a coefficient of thermal expansion that is such that when the material is heated and subsequently cooled, the material is capable of expansion and subsequent contraction to an extent sufficient to perform work on a MEMS – scale. Any of a number of materials used in integrated circuit fabrication could be suitable. Such materials could include gold, copper or titanium. The Applicant has found that titanium aluminum nitride (TiAlN) is particularly suitable for this purpose.

20 Thermal expansion and contraction occurs per unit length of the heating element 22 as is known. The principle behind the nozzle arrangement 10 is to provide the heating element 22 with sufficient length so that the extent of movement when the heating element 22 expands and contracts is sufficient to generate useful energy. Thus, the length of the heating element 22 is a factor that defines a useful energy transmitting means. In particular, the heating element 22 is of a length which is such that the extent of movement is similar to the extent of movement of the components of the nozzle arrangements described in the above referenced patents/patent applications.

The heating element 22 is connected to an ink-ejecting mechanism in the form of an ink-ejecting member or piston 24. The piston 24 is positioned in a nozzle chamber structure 26. The nozzle chamber structure 26 has nozzle chamber walls 28 and a roof 30. The roof 30 defines an ink ejection port 32.

30 The heating element 22 has a fixed end 34 and a working end 36 so that, on expansion and contraction of the heating element 22, the working end 36 is displaceable, in a rectilinear manner, with respect to the fixed end 34. This results in reciprocal movement of the piston 24 relative to the roof 30 and subsequent ejection of ink from the ink ejection port 32.

In Figure 2, reference numeral 40 generally indicates a nozzle arrangement of a second embodiment of a printhead chip, in accordance with the invention, for an inkjet printhead. With reference to Figure 1, like reference numerals refer to like parts, unless otherwise specified.

Again the nozzle arrangement 40 is shown only conceptually. It is respectfully submitted that a person of ordinary skill in the field of MEMS fabrication could readily fabricate a nozzle arrangement that utilizes the concept illustrated in Figure 2.

10 The nozzle arrangement 40 also includes a heating circuit 42. However, a heating element 44 of the heating circuit 42 is a convenient length. The nozzle arrangement 40 utilizes a hydraulic principle in order to achieve a useful force transmitting means. In this embodiment, a cross sectional area of the piston 24 and thus the nozzle chamber 26 are a sufficiently high number of orders of magnitude larger than a cross sectional area of the ink ejection port 32. Thus, a required extent of movement of the piston 24 can be reduced considerably from what would usually be required in the nozzle arrangements described in the above referenced applications, while still achieving drop ejection.

In Figure 3, reference numeral 50 generally indicates a nozzle arrangement of a third embodiment of a printhead chip, in accordance with the invention, for an inkjet printhead. With reference to Figures 1 and 2, like reference numerals refer to like parts, unless otherwise specified.

20 The nozzle arrangement 50 is again shown as broadly conceptual. In particular, the nozzle arrangement 50 illustrates that instead of having the dimensional configurations described in the previous embodiment, a suitable motion amplifying means 52 can be positioned between the heating element 44 and the piston 24. The motion amplifying means 52 can take a number of different forms. In particular, the motion amplifying means can be in the form of a conventional micro mechanical arrangement such as a gearing system.

In Figure 4, reference numeral 60 generally indicates a nozzle arrangement of a fourth embodiment of a printhead chip, in accordance with the invention, for an inkjet printhead. With reference to Figures 1 to 3, like reference numerals refer to like parts, unless otherwise specified.

30 The nozzle arrangement 60 is shown as broadly conceptual. In this embodiment, a lever mechanism 62 is positioned intermediate the working end 36 of the heating element 44 and the piston 24. The lever mechanism 62 has an effective effort arm 64 connected to an effective load arm 66 with a fulcrum 68. It is to be noted that the lever mechanism 62

shown in Figure 4 is schematic and that any of a number of micro mechanical systems defining lever mechanisms 62 can be used.

The lever mechanism 62 is configured so that the effective load arm 66 is between approximately 20 and 60 times longer than the effective effort arm 64. In particular, the lever mechanism 62 is configured so that the effective load arm 66 is approximately 40 times longer than the effective effort arm 64.

In Figures 5 to 8, reference numeral 70 generally indicates a nozzle arrangement of a fifth embodiment of a printhead chip; in accordance with the invention, for an inkjet printhead. With reference to Figures 1 to 4, like reference numerals refer to like parts, unless otherwise specified.

The nozzle arrangement 70 includes nozzle chamber walls in the form of a distal end wall 72, a proximal end wall 74 and a pair of opposed sidewalls 76. A roof 78 spans the walls 72, 74, 76. The roof 78 and the walls 72, 74, 76 define a nozzle chamber 80. The roof 78 defines an ink ejection port 82 in fluid communication with the nozzle chamber 80. The walls 72, 74, 76 and the roof 78 are dimensioned so that the nozzle chamber 80 has a rectangular shape when viewed in plan. The ink ejection port 82 is positioned adjacent a distal end 84 of the nozzle chamber 80.

A plurality of ink inlet channels 86 is defined through the substrate 12 and the layers 14, 16. Each ink inlet channel 86 is in fluid communication with a respective nozzle chamber 80. Further, an opening 88 of each ink inlet channel 86 is aligned with the ink ejection port 82 of its associated nozzle chamber 80.

An anchor formation in the form of a pair of anchors 90 is fast with the substrate 12 on a proximal side of the nozzle chamber 80. The heating circuit 44 includes an electro thermal expansion actuator 92 that is fast with the anchors 90 and extends towards the proximal end wall 74. The thermal expansion actuator 92 is of a conductive material and is shaped to define part of the heating circuit 44. The actuator 92 is of a material that has a coefficient of thermal expansion that is such that, when heated and subsequently cooled, expansion and contraction of the material can be harnessed to perform work on a MEMS scale. An example of a suitable material is TiAlN. In particular, the thermal expansion actuator 92 has a pair of arms 94 that are interconnected by a bridge portion 96. The actuator 92 has a fixed portion defined by fixed ends 98 of the arms 94 that are fast with respective anchors 90.

Each of the anchors 90 are configured to provide electrical connection between the fixed ends 98 and the electrical drive circuitry layer 14. In particular, the anchors 90 are configured to provide electrical connection between one fixed end 98 and a negative contact and the other fixed end 98 and a positive contact. The electrical drive circuitry layer 14 is connected to a microprocessor of the type described in the above referenced patents/applications so that electrical current pulses of suitable shape and magnitude can be supplied to the actuator 92.

The bridge portion 96 of the actuator 92 defines a working portion of the actuator 92.

10 The nozzle arrangement 70 includes a pivot member 100 that is pivotally arranged on the proximal end wall 74. The bridge portion 96 of the actuator 92 is connected to the pivot member 100 at a position intermediate a pivot point, indicated at 102, defined by the pivot member 100 and the proximal end wall 74. It is to be understood that the pivot point 102 can be defined by any number of configurations of the pivot member 100 and the proximal end wall 74. For this reason, the pivot point 102 is indicated schematically only. In one possible embodiment, the proximal end wall 74 could define the pivot member 100. In this case, the pivot point 102 would be defined between the proximal end wall 74 and the sidewalls 76. In particular, this would entail hingedly connecting the proximal end wall 74 to the sidewalls 76.

20 It will be appreciated that, in any event, the pivot member 100 is to form part of the proximal end wall 74. Thus, a sealing member 104 is provided intermediate the pivot member 100 and the ink passivation layer 16. The sealing member 104 is configured to accommodate pivotal movement of the pivot member 100 upon expansion and subsequent contraction of the thermal expansion actuator 92.

The nozzle arrangement 70 includes an ink ejection member in the form of a paddle 106. The paddle 106 is dimensioned to correspond generally with the nozzle chamber 80. In particular, the paddle 106 is dimensioned so that an end portion 108 of the paddle 106 is positioned intermediate the ink ejection port 82 and the opening 88 of the ink inlet channel 86.

30 The paddle 106 and the pivot member 100 are configured so that the paddle 106 is between approximately 20 and 60 times longer than an effective lever arm, indicated at 110, defined by the paddle 106 and the pivot member 100. In particular, the paddle 106 can be approximately 40 times longer than the effective lever arm 110. It should be noted that

the lever arm 110 is only shown schematically because of the wide variety of different possible configurations available for defining the lever arm 110. Further, a ratio of paddle length to lever arm length can vary widely from the 40:1 ratio. This could depend on a number of factors such as driving signal strength and actuator material. For example, in one embodiment, the Applicant has devised the actuator 92 to expand by 50 nanometers while the end portion 108 of the paddle 106 moves through between 1 and 2 microns.

It will be appreciated that a maximum extent of movement of the paddle 106 takes place at the end portion 108 of the paddle 106. Furthermore, this extent of movement is up to 40 times greater than a range of movement of the effective lever arm 110. It follows that the expansion of the thermal actuator 92 is substantially amplified at the end portion 108, therefore facilitating the ejection of ink 112 from the ink ejection port 82 as indicated at 114 in Figure 7. When the actuator 92 cools, subsequent contraction of the actuator 92 causes an amplified extent of movement of the end portion 108 back into a quiescent position shown in Figure 6. This results in separation of the ink 114 from the ink 112 to form an ink drop 116.

The paddle 106 includes reinforcing ribs 118 to strengthen the paddle 106. This is necessary due to the relative length of the paddle 106 and a resultant bending moment exerted on the paddle 106.

It will be appreciated that, in light of the above referenced applications and patents, the nozzle arrangement 70 is suited for fabrication with an integrated circuit fabrication technique. Furthermore, the pivot member 100 and pivot point 102 can be defined by any number of micro mechanical arrangements. For example, a flexible member may be formed intermediate the pivot member 100 and the sidewalls 76 or proximal end wall 74 that is distorted to accommodate pivotal movement of the pivot member 100.

In Figure 9, reference numeral 120 generally indicates a nozzle arrangement of a sixth embodiment of a printhead chip, in accordance with the invention, for an inkjet printhead. With reference to Figures 1 to 8, like reference numerals refer to like parts, unless otherwise specified.

The nozzle arrangement 120 includes a nozzle chamber structure in the form of an active ink-ejecting structure 122. The active ink-ejecting structure 122 has a roof 124 and walls 126 that extend from the roof 124 towards the substrate 12. The roof 124 defines an ink ejection port 128. The roof 124 and the walls 126 together define a nozzle chamber 130.

The walls 126 comprise a proximal end wall 132, an opposed distal end wall 134 and a pair of opposed sidewalls 136. The ink ejection port 128 is positioned adjacent the distal end wall 134, while the opening 88 of the ink inlet channel 86 is positioned adjacent the proximal end wall 132.

The proximal end wall 132 is pivotally mounted on the substrate 12 so that the active ink-ejecting structure 122 is pivotal with respect to the substrate 12. In particular, the active ink-ejecting structure 122 is pivotal in the direction of an arrow 138 to an extent that is sufficient to facilitate the ejection of ink from the ink ejection port 128.

10 The roof 124 and the walls 126 are dimensioned so that the nozzle chamber 130 is rectangular and has a length that is more than 3 times a height of the nozzle chamber 130. This, together with the fact that the ink ejection port 128 and the opening 88 are positioned at opposite ends of the nozzle chamber 130 facilitates the retardation of ink flow from the ink ejection port 128 towards the opening 88 when the structure 122 is pivotally displaced towards the substrate 12. This flow is referred to as backflow and is highly undesirable.

20 The bridge portion 96 of the actuator 92 is fixed to the proximal end wall 132. Thus, on heating and subsequent expansion of the actuator 92 in the manner described above, the ink-ejecting structure 122 is pivoted towards the substrate 12. Upon cooling and subsequent contraction of the actuator 92 in the manner described above, the ink-ejecting structure 122 is pivoted away from the substrate 12. This reciprocal movement of the ink-ejecting structure 122 results in the ejection of an ink drop from the ink ejection port 128.

The bridge portion 96 is connected to the proximal end wall 132 at a position in which a length of the ink-ejecting structure 122 is up to 40 times greater than a length of an effective lever arm, indicated at 140. It follows that pivotal movement of the effective lever arm 140 as a result of displacement of the bridge portion 96 upon heating and subsequent cooling of the actuator 92 can be amplified by a factor as high as 40. It has been found by the Applicant that this facilitates efficient ink drop ejection.

30 The nozzle arrangement 120 includes a sealing structure 142 that extends from the ink passivation layer 16. The walls 126 overlap the sealing structure 142 so that a fluidic seal is defined between the sealing structure 142 and the walls 126 when the nozzle chamber 130 is filled with ink.

Applicant believes that this invention provides a means whereby simple thermal expansion and contraction, in a rectilinear manner, can be converted into useful work.

WE CLAIM

1. A printhead chip for an inkjet printhead, the printhead chip comprising a substrate; and
a plurality of nozzle arrangements that is positioned on the substrate, each nozzle arrangement comprising
 - a nozzle chamber structure that is positioned on the substrate and that defines a nozzle chamber from which ink is to be ejected;
 - an ink-ejecting mechanism that is operatively arranged with respect to the nozzle chamber structure, the ink-ejecting mechanism including at least one moving component that is displaceable to generate a pressure pulse within the nozzle chamber to eject ink from the nozzle chamber;
 - an actuator that is positioned on the substrate and that has at least one working member that is of a material having a coefficient of thermal expansion such that the, or each, working member is capable of substantially rectilinear expansion and contraction when heated and subsequently cooled; and
 - an energy transmitting means that interconnects the, or each, moving component and the, or each, working member so that energy generated by the, or each, working member as a result of expansion and subsequent contraction of the, or each, working member is transmitted to the, or each, moving component resulting in displacement of the, or each, moving component and generation of said pressure pulse.
2. A printhead chip as claimed in claim 1, which is the product of an integrated circuit fabrication technique.
3. A printhead chip as claimed in claim 2, in which the substrate includes a silicon wafer substrate and a CMOS drive circuitry layer positioned on the silicon wafer substrate.
4. A printhead chip as claimed in claim 3, in which each actuator includes one elongate working arm that has a fixed end portion and a working end portion, the working arm being configured to define part of a resistive heating circuit, the working arm also being electrically connected to the drive circuitry layer so that a current pulse can be set up

in the working arm to displace the working end portion relative to the fixed end portion upon heating and subsequent cooling of the working arm as a result of the current pulse.

5. A printhead chip as claimed in claim 4, in which each nozzle chamber structure includes nozzle chamber walls and a roof positioned on the nozzle chamber walls, the roof defining an ink ejection port from which ink is ejected upon generation of said pressure pulse.

10 6. A printhead chip as claimed in claim 5, in which each ink-ejecting mechanism includes one moving component in the form of an ink-ejecting member that is positioned in the nozzle chamber and is displaceable towards and away from the roof to generate said pressure pulse.

7. A printhead chip as claimed in claim 6, in which the energy transmitting means is defined by the ink-ejecting member having an ink-ejecting surface area that is a predetermined order of magnitude larger than an opening area of the ink ejection port so that a hydraulic advantage is achieved.

20 8. A printhead chip as claimed in claim 6, in which the energy transmitting means is in the form of a motion amplification means that is configured so that movement of the ink-ejecting member is a predetermined order of magnitude greater than that of the working end portion of the working member.

9. A printhead chip as claimed in claim 8, in which the motion amplification means includes a lever mechanism, the lever mechanism defining an effort arm that is connected to the working end portion of the working member and the ink-ejecting member defining a load arm, the load arm having an effective length that is a predetermined order of magnitude greater than an effective length of the effort arm, the lever mechanism further defining a fulcrum that connects the effort and load arms pivotally to one of the substrate
30 and the nozzle chamber structure.

10. An inkjet printhead that includes at least one printhead chip as claimed in claim 1.

ABSTRACT

A printhead chip for an inkjet printhead includes a substrate. A plurality of nozzle arrangements is positioned on the substrate. Each nozzle arrangement includes a nozzle chamber structure that is positioned on the substrate and that defines a nozzle chamber from which ink is to be ejected. An ink-ejecting mechanism is operatively arranged with respect to the nozzle chamber structure. The ink-ejecting mechanism includes at least one moving component that is displaceable to generate a pressure pulse within the nozzle chamber to eject ink from the nozzle chamber. An actuator is positioned on the substrate and has at least one working member that is of a material having a coefficient of thermal expansion such that the, or each, working member is capable of substantially rectilinear expansion and contraction when heated and subsequently cooled. An energy transmitting means interconnects the, or each, moving component and the, or each, working member so that energy generated by the, or each, working member as a result of expansion and subsequent contraction of the, or each, working member is transmitted to the, or each, moving component resulting in displacement of the, or each, moving component and generation of said pressure pulse.

10

Please type a plus sign (+) inside this box →

PTO/SB/01 (12-97)
 Approved for use through 9/30/00. OMB 0651-0032
 Patent and Trademark Office; U.S. DEPARTMENT OF COMMERCE

Under the Paperwork Reduction Act of 1995, no persons are required to respond to a collection of information unless it contains a valid OMB control number.

| | | |
|---|-------------------------------|-----------------|
| DECLARATION FOR UTILITY OR DESIGN PATENT APPLICATION (37 CFR 1.63) | Attorney Docket Number | YU175US |
| | First Named Inventor | KIA SILVERBROOK |
| | COMPLETE IF KNOWN | |
| | Application Number | / |
| | Filing Date | |
| | Group Art Unit | |
| <input checked="" type="checkbox"/> Declaration Submitted with Initial Filing OR <input type="checkbox"/> Declaration Submitted after Initial Filing (surcharge (37 CFR 1.16 (e)) required) | Examiner Name | |

As a below named inventor, I hereby declare that:

My residence, post office address, and citizenship are as stated below next to my name.

I believe I am the original, first and sole inventor (if only one name is listed below) or an original, first and joint inventor (if plural names are listed below) of the subject matter which is claimed and for which a patent is sought on the invention entitled:

PUSHER ACTUATION IN A PRINTHEAD CHIP FOR AN INKJET PRINTHEAD

the specification of which (Title of the Invention)

is attached hereto
 OR

was filed on (MM/DD/YYYY) as United States Application Number or PCT International Application Number and was amended on (MM/DD/YYYY) (if applicable).

I hereby state that I have reviewed and understand the contents of the above identified specification, including the claims, as amended by any amendment specifically referred to above.

I acknowledge the duty to disclose information which is material to patentability as defined in 37 CFR 1.56.

I hereby claim foreign priority benefits under 35 U.S.C. 119(a)-(d) or 365(b) of any foreign application(s) for patent or inventor's certificate, or 365(a) of any PCT international application which designated at least one country other than the United States of America, listed below and have also identified below, by checking the box, any foreign application for patent or inventor's certificate, or of any PCT international application having a filing date before that of the application on which priority is claimed.

| Prior Foreign Application Number(s) | Country | Foreign Filing Date (MM/DD/YYYY) | Priority Not Claimed | Certified Copy Attached? | |
|---|-----------|----------------------------------|--------------------------|--------------------------|-------------------------------------|
| | | | | YES | NO |
| PO2592 | Australia | 03/25/98 | <input type="checkbox"/> | <input type="checkbox"/> | <input checked="" type="checkbox"/> |
| PO7991 | Australia | 07/15/97 | <input type="checkbox"/> | <input type="checkbox"/> | <input checked="" type="checkbox"/> |
| Certified copies are not submitted as this is a CIP of USSN 09/112.767 filed on July 10, 1998 | | | | | |

Additional foreign application numbers are listed on a supplemental priority data sheet PTO/SB/02B attached hereto.

I hereby claim the benefit under 35 U.S.C. 119(e) of any United States provisional application(s) listed below.

| Application Number(s) | Filing Date (MM/DD/YYYY) | |
|-----------------------|--------------------------|--|
| | | <input type="checkbox"/> Additional provisional application numbers are listed on a supplemental priority data sheet PTO/SB/02B attached hereto. |

[Page 1 of 2]

Burden Hour Statement: This form is estimated to take 0.4 hours to complete. Time will vary depending upon the needs of the individual case. Any comments on the amount of time you are required to complete this form should be sent to the Chief Information Officer, Patent and Trademark Office, Washington, DC 20231. DO NOT SEND FEES OR COMPLETED FORMS TO THIS ADDRESS. SEND TO: Assistant Commissioner for Patents, Washington, DC 20231.

Please type a plus sign (+) inside this box → +

Approved for use through 8/30/00. OMB 0651-0032
 Patent and Trademark Office, U.S. DEPARTMENT OF COMMERCE

Under the Paperwork Reduction Act of 1995, no persons are required to respond to a collection of information unless it contains a valid OMB control number.

DECLARATION — Utility or Design Patent Application

I hereby claim the benefit under 35 U.S.C. 120 of any United States application(s), or 365(c) of any PCT International application designating the United States of America, listed below and, insofar as the subject matter of each of the claims of this application is not disclosed in the prior United States or PCT International application in the manner provided by the first paragraph of 35 U.S.C. 112, I acknowledge the duty to disclose information which is material to patentability as defined in 37 CFR 1.56 which became available between the filing date of the prior application and the national or PCT International filing date of this application.

| U.S. Parent Application or PCT Parent Number | Parent Filing Date (MM/DD/YYYY) | Parent Patent Number (if applicable) |
|--|---------------------------------|--------------------------------------|
| | | |

Additional U.S. or PCT international application numbers are listed on a supplemental priority data sheet PTO/SB/02B attached hereto.

As a named inventor, I hereby appoint the following registered practitioner(s) to prosecute this application and to transact all business in the Patent and Trademark Office connected therewith:

| <input type="checkbox"/> Customer Number <input style="width: 100px;" type="text"/> → <input style="width: 100px; height: 20px;" type="text"/> Place Customer Number Bar Code Label here OR <input type="checkbox"/> Registered practitioner(s) name/registration number listed below | | | |
|---|---------------------|------|---------------------|
| Name | Registration Number | Name | Registration Number |
| | | | |

Additional registered practitioner(s) named on supplemental Registered Practitioner Information sheet PTO/SB/02C attached hereto.

Direct all correspondence to: Customer Number or Bar Code Label OR Correspondence address below

| | | | | | |
|---------|------------------------------|-----------|----------------|-----|----------------|
| Name | Kia Silverbrook | | | | |
| Address | Silverbrook Research Pty Ltd | | | | |
| Address | 393 Darling Street | | | | |
| City | Balmain | State | NSW | ZIP | 2041 |
| Country | Australia | Telephone | 61-2-9818-6633 | Fax | 61-2-9818-6711 |

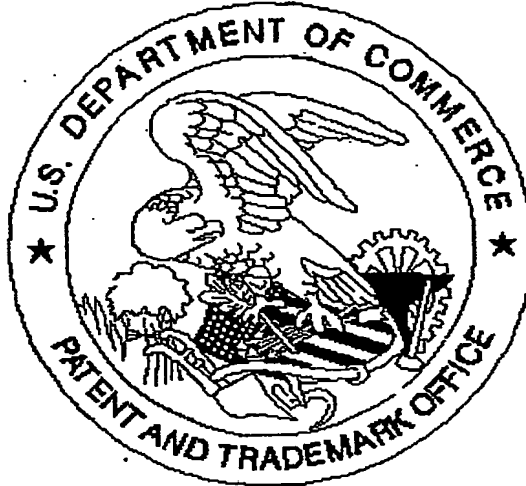
I hereby declare that all statements made herein of my own knowledge are true and that all statements made on information and belief are believed to be true; and further that these statements were made with the knowledge that willful false statements and the like so made are punishable by fine or imprisonment, or both, under 18 U.S.C. 1001 and that such willful false statements may jeopardize the validity of the application or any patent issued thereon.

Name of Sole or First Inventor: A petition has been filed for this unsigned inventor

| | | | | | |
|--|--------------------|---------|------------------------|---------|-----------|
| Given Name (first and middle (if any)) | | | Family Name or Surname | | |
| KIA | | | SILVERBROOK | | |
| Inventor's Signature | | | | | Date |
| Residence: City | Balmain | State | NSW | Country | Australia |
| Post Office Address | 393 Darling Street | | | | |
| Post Office Address | | | | | |
| City | Balmain | State | NSW | ZIP | 2041 |
| | | Country | Australia | | |

Additional inventors are being named on the supplemental Additional Inventor(s) sheet(s) PTO/SB/02A attached hereto

United States Patent & Trademark Office
Office of Initial Patent Examination -- Scanning Division



2025 RELEASE UNDER E.O. 14176

Application deficiencies found during scanning:

Page(s) _____ of _____ were not present
for scanning. (Document title)

Page(s) _____ of _____ were not present
for scanning. (Document title)

*There are only 2 pages on declaration
& not on 3 pages.*

Scanned copy is best available.

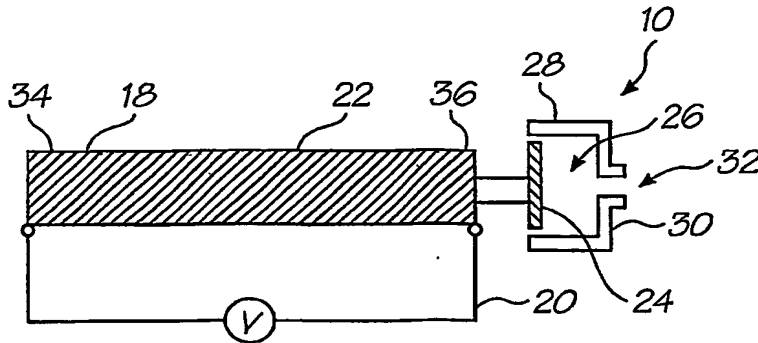


FIG. 1

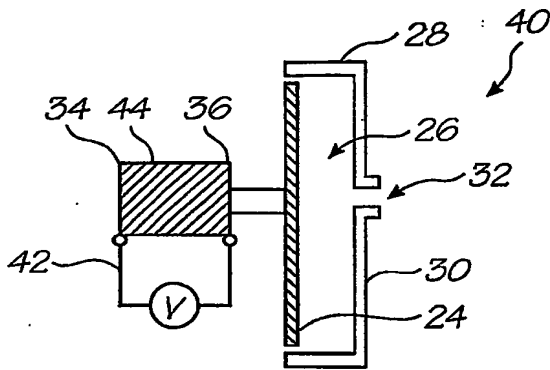


FIG. 2

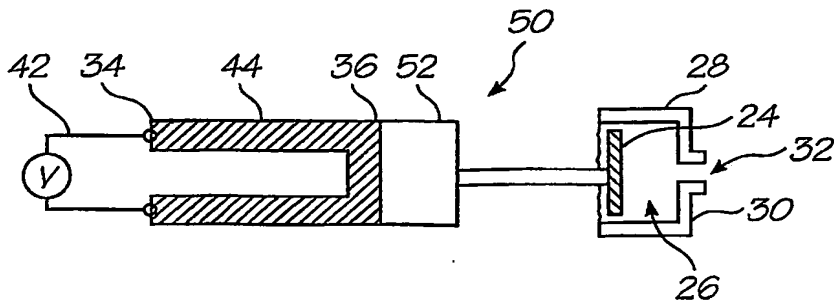


FIG. 3

2025 RELEASE UNDER E.O. 14176

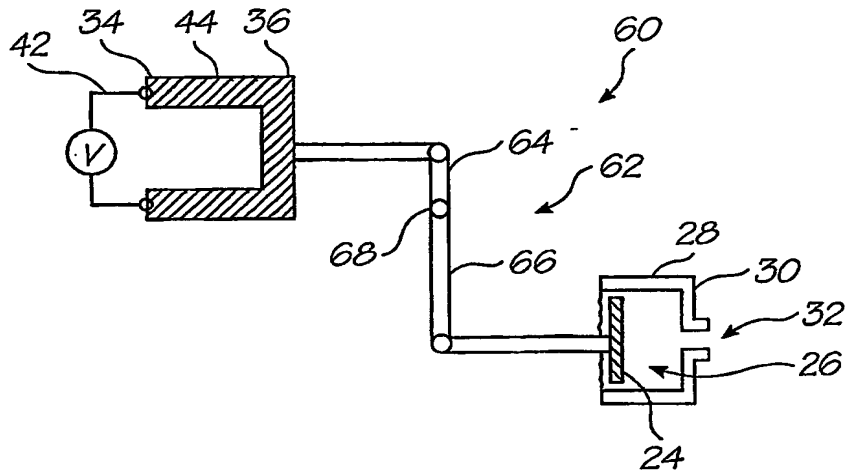


FIG. 4

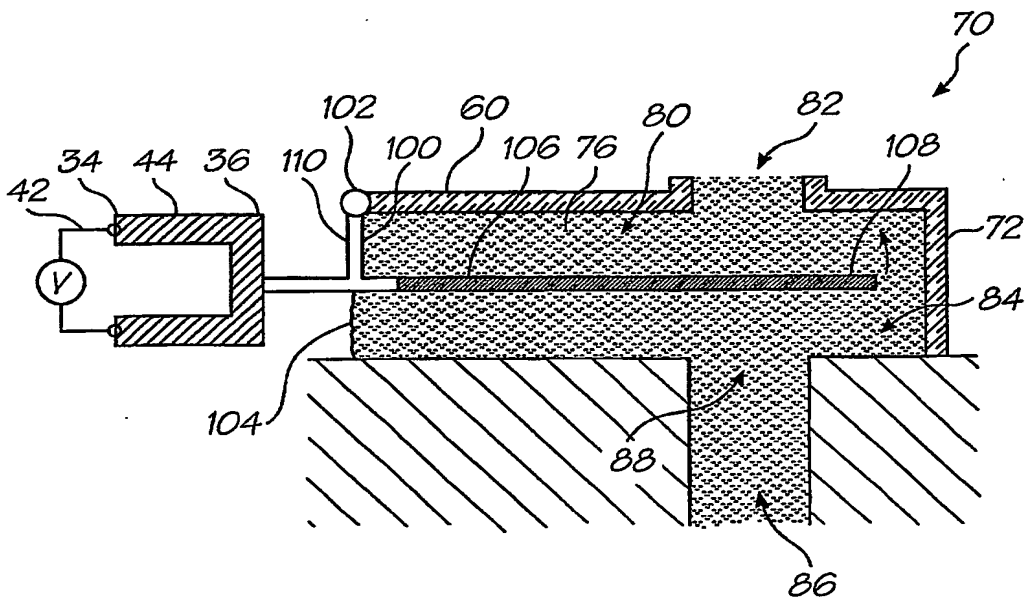


FIG. 5

FIG. 6

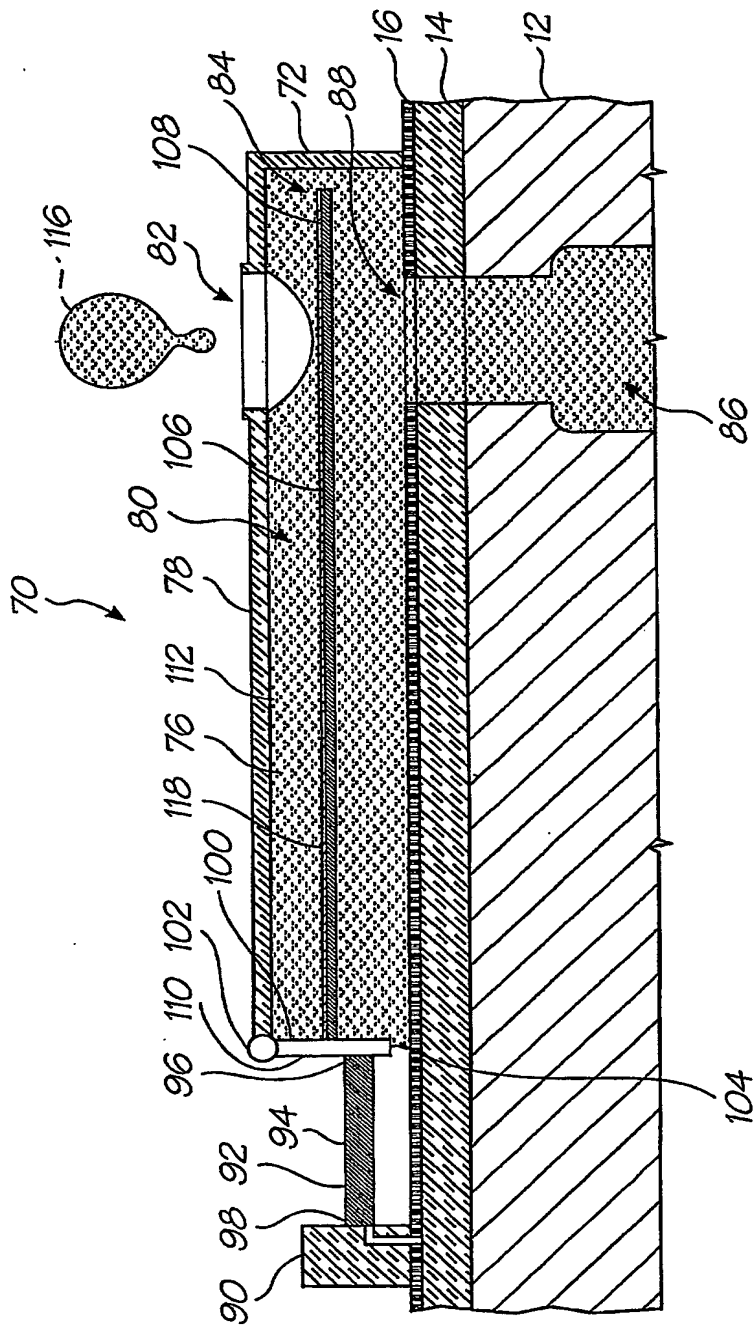


FIG. 6

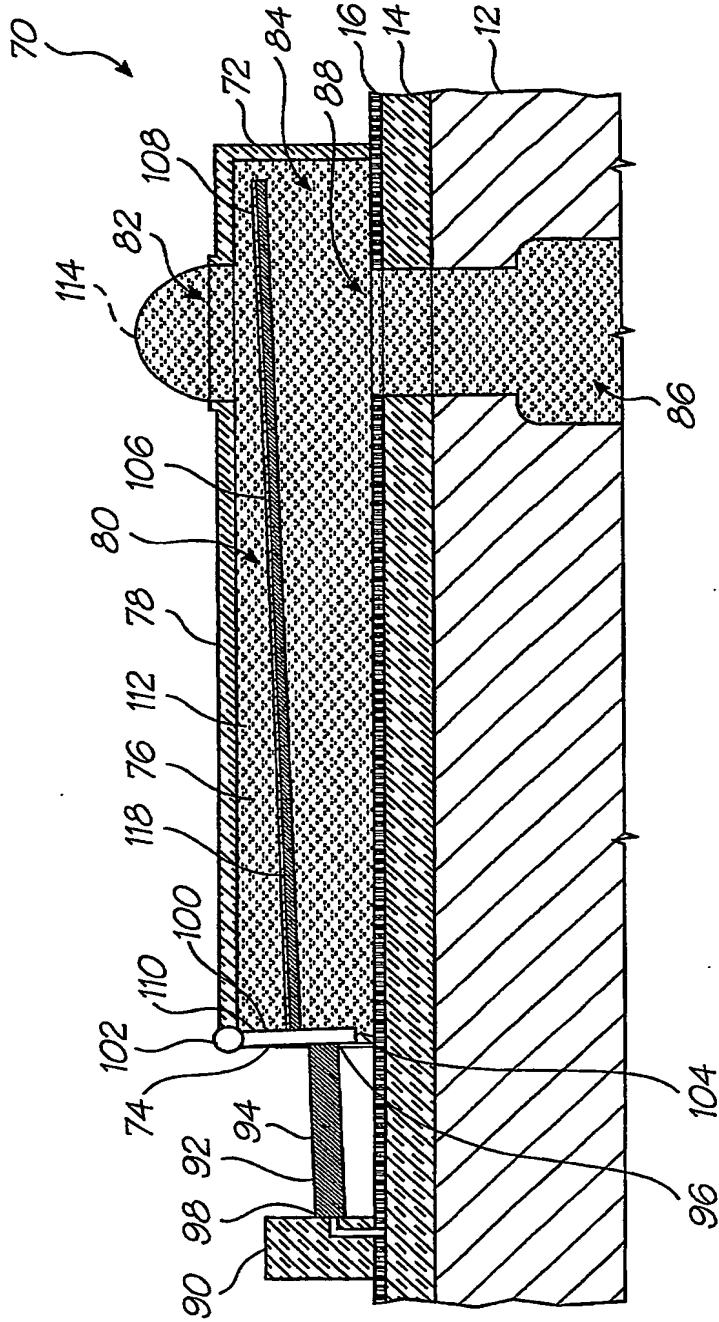


FIG. 7

FIG. 8

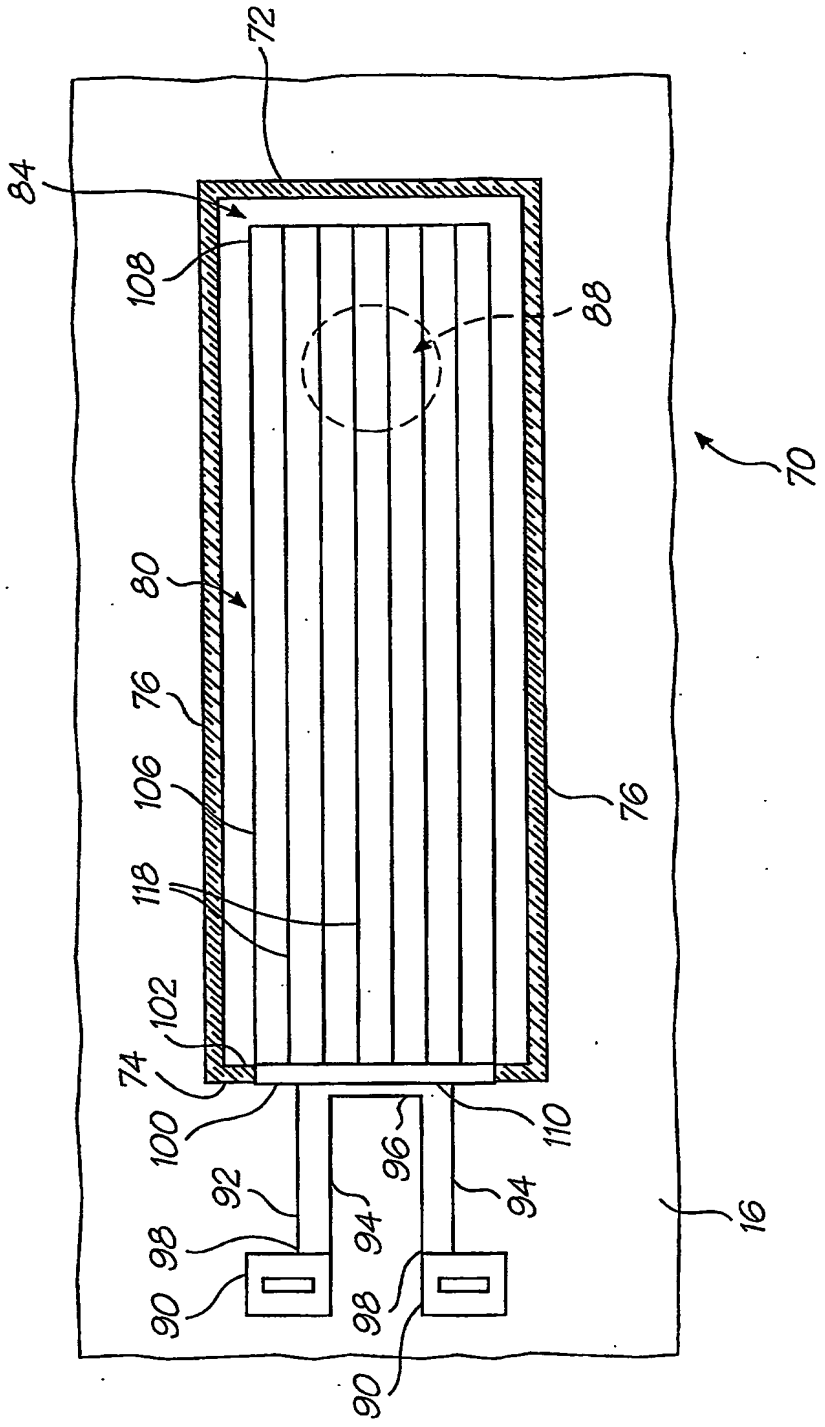


FIG. 8

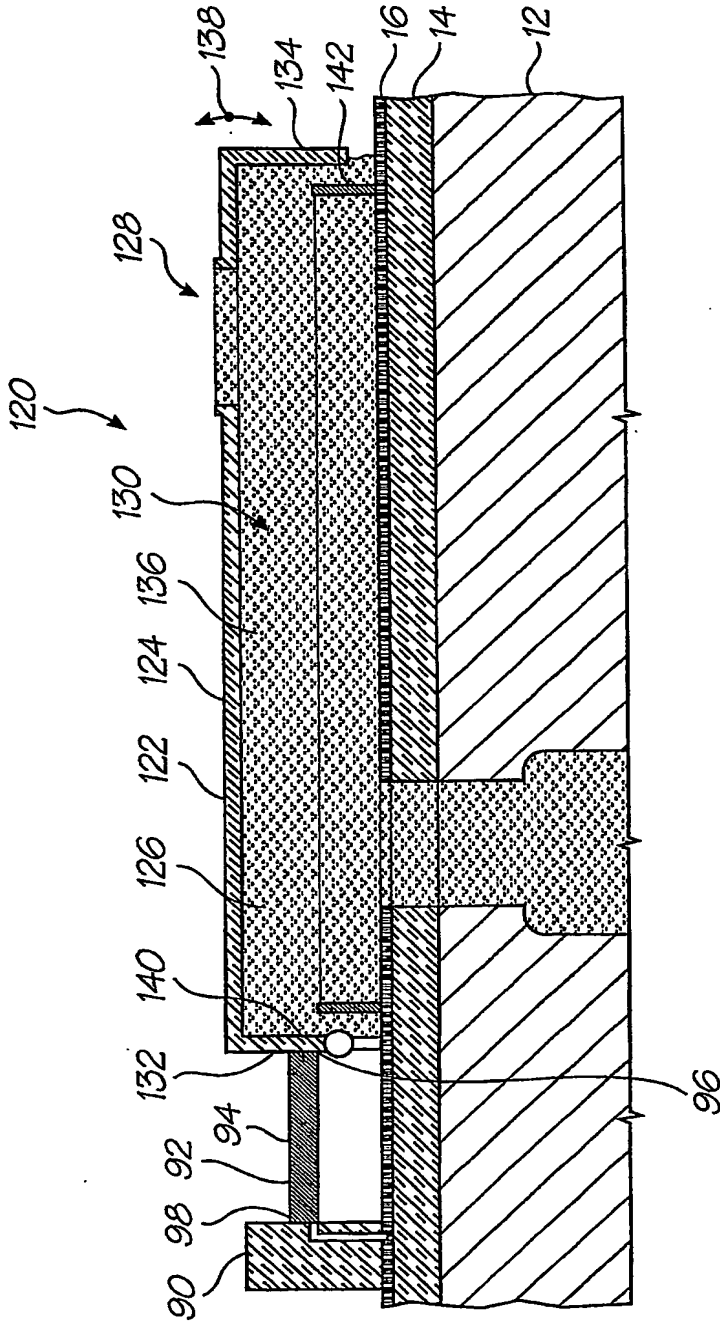


FIG. 9

**This Page is Inserted by IFW Indexing and Scanning
Operations and is not part of the Official Record**

BEST AVAILABLE IMAGES

Defective images within this document are accurate representations of the original documents submitted by the applicant.

Defects in the images include but are not limited to the items checked:

- BLACK BORDERS
- IMAGE CUT OFF AT TOP, BOTTOM OR SIDES
- FADED TEXT OR DRAWING
- BLURRED OR ILLEGIBLE TEXT OR DRAWING
- SKEWED/SLANTED IMAGES
- COLOR OR BLACK AND WHITE PHOTOGRAPHS
- GRAY SCALE DOCUMENTS
- LINES OR MARKS ON ORIGINAL DOCUMENT
- REFERENCE(S) OR EXHIBIT(S) SUBMITTED ARE POOR QUALITY
- OTHER: _____

IMAGES ARE BEST AVAILABLE COPY.

As rescanning these documents will not correct the image problems checked, please do not report these problems to the IFW Image Problem Mailbox.